

Technical data door frame

Dimensions / type:

- LUX ELEMENTS®-MODUL-DOOR-TZ F with flat frame profile, dimensions see drawing
- LUX ELEMENTS®-MODUL-DOOR-TZ B with wide block frame profile, dimensions see drawing



Appearance / design:

- Rabbet frames with rubber seal in rabbet, 3-piece (1 x lintel profile, 2 x reveal liner)
- 2 hinges (optically matches the door frame profile), in case of glass surface $\leq 2,00 \text{ m}^2$ for LUX ELEMENTS®-MODUL-DOOR-TZ F
 $\leq 2,75 \text{ m}^2$ for LUX ELEMENTS®-MODUL-DOOR-TZ B
- 3 hinges (optically matches the door frame profile) for larger glass surfaces
- Closure via roller catch, material plastic

Material:

- Aluminium door frame

Technical data glass door leaf

Dimensions:

- for LUX ELEMENTS®-MODUL-DOOR-TZ F: Glass width (GA) = External dimension door frame width (A) – (2 x 13 mm)
Glass height (GB) = External dimension door frame height (B) – (7 + 13 mm)
- for LUX ELEMENTS®-MODUL-DOOR-TZ B: Glass width (GA) = External dimension door frame width (A) – (2 x 34 mm)
Glass height (GB) = External dimension door frame height (B) – (7 + 34 mm)
- Maximum glass width: 1.100 mm
- Maximum glass area: $2,75 \text{ m}^2$ for LUX ELEMENTS®-MODUL-DOOR-TZ F
 $3,25 \text{ m}^2$ for LUX ELEMENTS®-MODUL-DOOR-TZ B

Material:

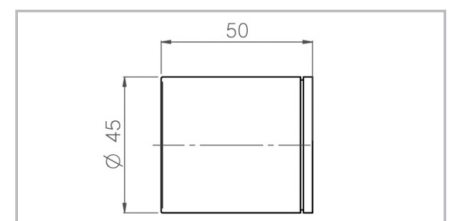
- 8 mm ESG (single sheet safety glass)

Technical data door knob / handle bar

Door knob solid

LUX ELEMENTS®-MODUL-DOOR-TK

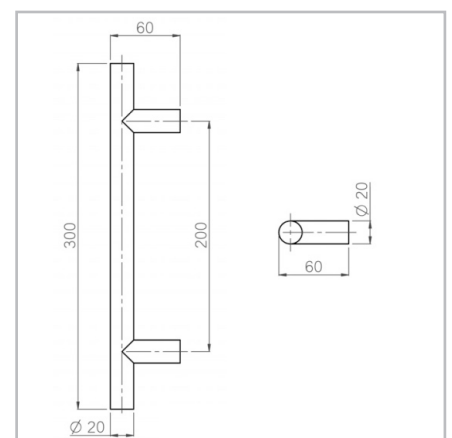
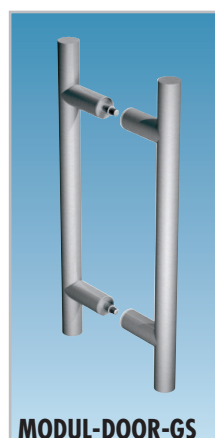
- Aluminium, polished similar to stainless steel
- Optically matches the door frame profile
- Diameter: 45 mm



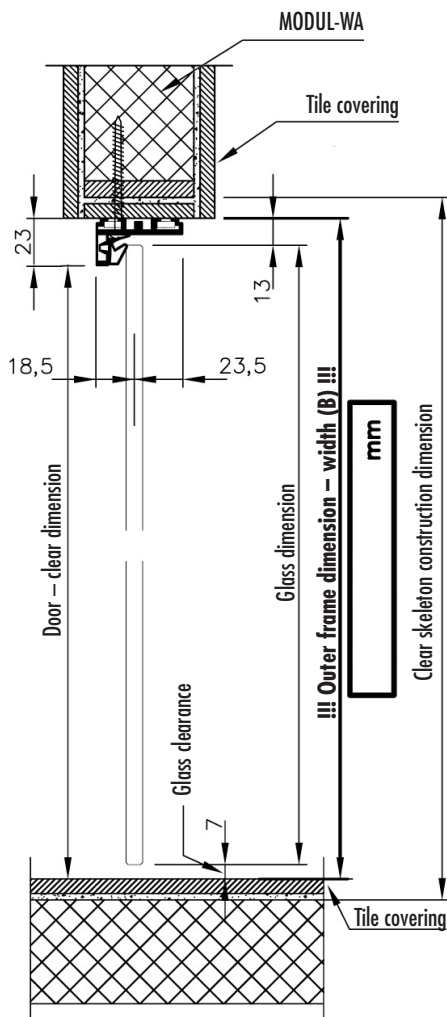
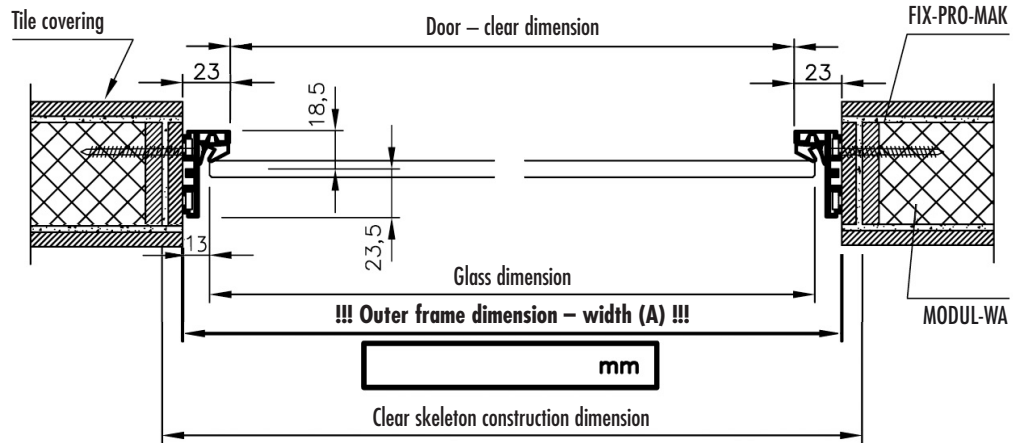
Handle bar solid

LUX ELEMENTS®-MODUL-DOOR-GS

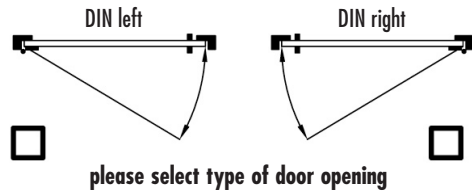
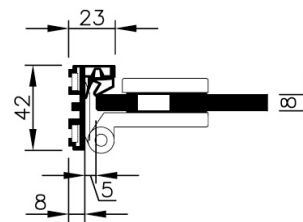
- Stainless steel
- Optically matches the door frame profile
- 300 mm long
- Diameter: 20 mm



MODUL-DOOR-TZ F – Dimensional details



Profile cross section and hinge



Caution! Statement of dimensions for ordering:

The outer door frame dimension A x B (width x height) in mm must be stated and also the rabbet situation (DIN left or DIN right).

We recommend assembly on a tiled surface. The material thickness values for tiles and adhesive must be deducted from the narrowest skeleton construction opening. We also recommend that you allow for an installation tolerance of at least 2 mm.

Example: Skeleton construction dimension 800 x 2000 mm, tiles 6 mm, adhesive 3 mm, installation tolerance 2 mm:

Width A = $800 - (2 \times 6) - (2 \times 3) - (1 \times 2) = 780$ mm

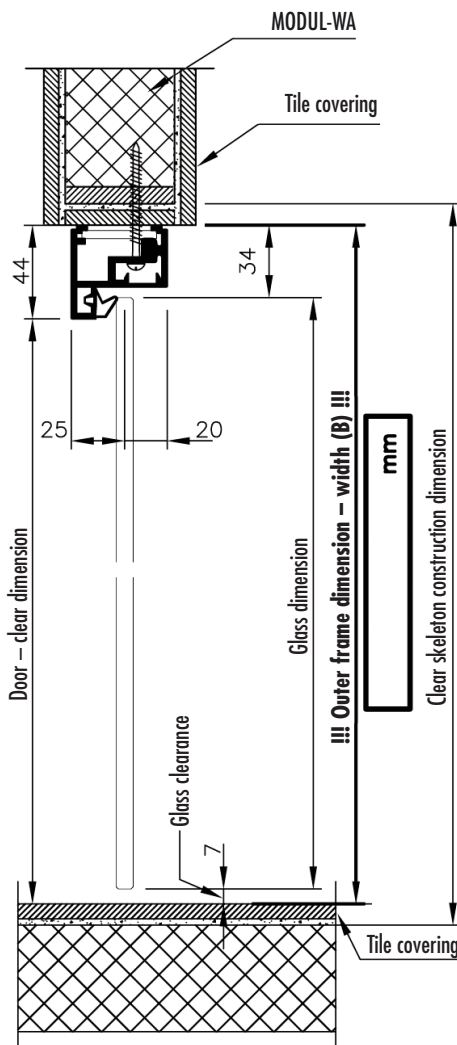
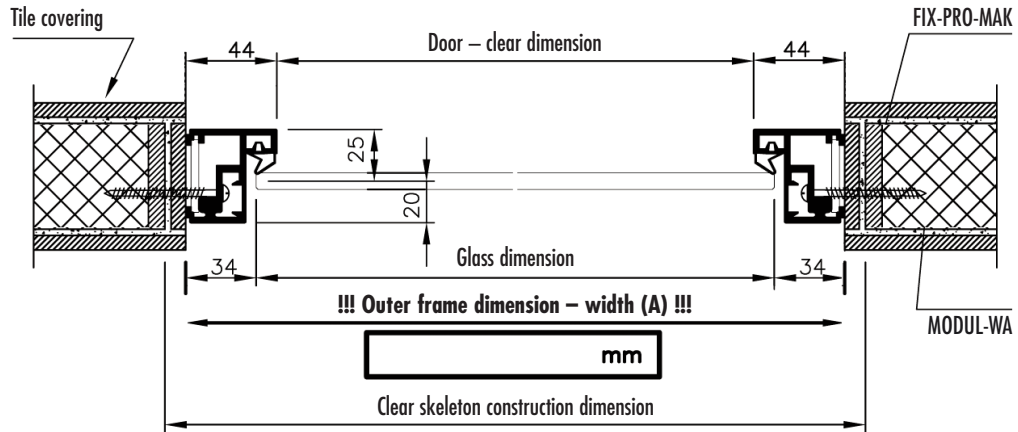
Height B = $2000 - (2 \times 6) - (2 \times 3) - (1 \times 2) = 1980$ mm

Order dimension A x B = 780 x 1980 mm, DIN left.

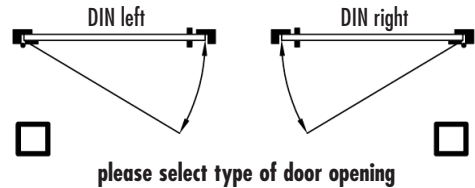
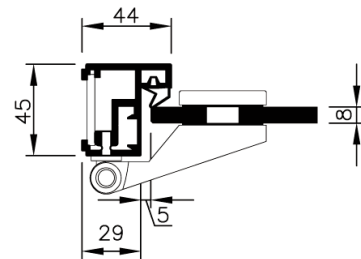
LUX ELEMENTS does not add tolerance values!

Protection rights exist for all data acc. to DIN ISO 16016

MODUL-DOOR-TZ B – Dimensional details



Profile cross section and hinge



Caution! Statement of dimensions for ordering:

The outer door frame dimension A x B (width x height) in mm must be stated and also the rabbet situation (DIN left or DIN right).

We recommend assembly on a tiled surface. The material thickness values for tiles and adhesive must be deducted from the narrowest skeleton construction opening. We also recommend that you allow for an installation tolerance of at least 2 mm.

Example: Skeleton construction dimension 800 x 2000 mm, tiles 6 mm, adhesive 3 mm, installation tolerance 2 mm:

Width A = $800 - (2 \times 6) - (2 \times 3) - (1 \times 2) = 780$ mm

Height B = $2000 - (2 \times 6) - (2 \times 3) - (1 \times 2) = 1980$ mm

Order dimension A x B = 780 x 1980 mm, DIN left.

LUX ELEMENTS does not add tolerance values!

Protection rights exist for all data acc. to DIN ISO 16016

LUX ELEMENTS GmbH & Co. KG

An der Schusterinsel 7
D - 51379 Leverkusen-Opladen
Tel. +49 (0) 21 71/72 12-0
Fax +49 (0) 21 71/72 12-40
E-Mail info@luxelements.de

LUX ELEMENTS S.A.S

31, rue d'Ensisheim
F - 68190 Ungersheim
Tél. +33 (0) 3 89 83 69 79
Fax +33 (0) 3 89 48 83 27
E-Mail info@luxelements.fr